

*PNEUMATIC ACTUATED BUTTERFLY VALVE (TORK-KV.W1120, PAV-802.DA/SR)*



**Pneumatic Actuator Specification**

**Type:** Spring Return , Double Acting

**Position:** 2 or 3 position

**Degree:** 90°, 120°, 180°

**Protection Class:** IP65, IP68

**Exproof Protection Class:** II 2GDc T4

**Working Pressure:** 4...8 Bar

**Working Temperature :** -10°C...+80°C (-50°C...80°C)

**Torque Range:** 9Nm...5162 Nm

**Body:** Extruded Aluminum

**Stroke:** ±5°

**Accessories:** Switch Box, Namur Valve, Positioner , Manual Override

**Flow Control :** On-Off or Proportional

**Namur Standarts:** ISO 5211

**Accessories Connection :** Namur standard

**Butterfly Valve Specification**

**Body:** GG-25 Epoxy Coated (optional GGG 40-50)

**Disc:** 316SS

**Working Pressure:** PN6, PN10, PN16

**Flanged Connection:** PN 6, PN 10, PN 16, ANSI CL 150, JIS 5K (DN 50 - DN 300)

**Top Flanged:** ISO 5211

**Norm:** EN 558-1/20

**Test Standart:** EN 12266-1

**Valve Type:** Wafer

**Operation :** 2/2Way

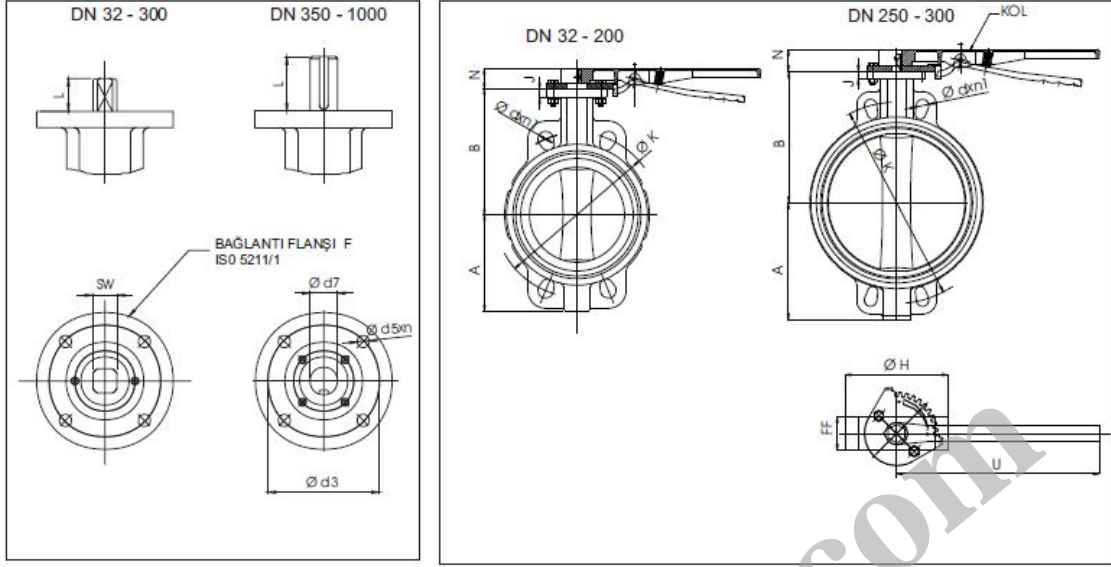
**Connection sizes:** DN32...DN1000

**Application:**

- Liquids
- General application water , air
- Water threatment systems

**Seat :** NBR, EPDM, Viton, Silikon

**Dimensions**



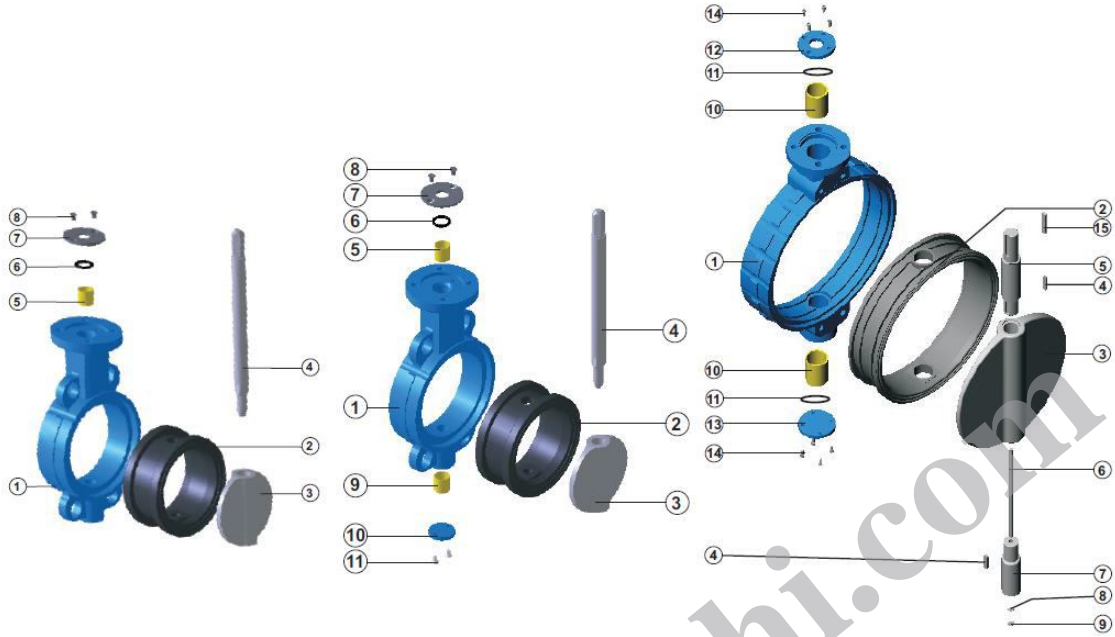
| DN     | A   | B   | FF        | Ø H  | J  | M   | N  | U   | W   | Ø T | F  | Ø d5xn | □ SW<br>Ø d7 | L   | Ø d3 | PN 10 |      |    | PN 16 |      |    |
|--------|-----|-----|-----------|------|----|-----|----|-----|-----|-----|----|--------|--------------|-----|------|-------|------|----|-------|------|----|
|        |     |     |           |      |    |     |    |     |     |     |    |        |              |     |      | Ø K   | Ø d  | n1 | Ø K   | Ø d  | n1 |
| Ø 32   | 62  | 96  | 40        | 87   | 13 | 50  | 37 | 220 | 159 | 200 | 05 | 7x4    | □ 9          | 20  | 50   | 100   | Ø 18 | 4  | 100   | Ø 18 | 4  |
| Ø 40   | 62  | 96  | 40        | 87   | 13 | 50  | 37 | 220 | 159 | 200 | 05 | 7x4    | □ 9          | 20  | 50   | 110   | Ø 18 | 4  | 110   | Ø 18 | 4  |
| Ø 50   | 67  | 108 | 43        | 100  | 13 | 50  | 37 | 220 | 159 | 200 | 05 | 7x4    | □ 9          | 20  | 50   | 125   | Ø 18 | 4  | 125   | Ø 18 | 4  |
| Ø 65   | 80  | 127 | 46        | 123  | 13 | 50  | 37 | 220 | 159 | 200 | 07 | 9x4    | □ 11         | 20  | 70   | 145   | Ø 18 | 4  | 145   | Ø 18 | 4  |
| Ø 80   | 99  | 132 | 46        | 137  | 14 | 50  | 37 | 260 | 159 | 200 | 07 | 9x4    | □ 14         | 20  | 70   | 160   | Ø 18 | 8  | 160   | Ø 18 | 8  |
| Ø 100  | 110 | 155 | 52        | 156  | 14 | 50  | 37 | 260 | 159 | 200 | 07 | 9x4    | □ 14         | 20  | 70   | 180   | Ø 18 | 8  | 180   | Ø 18 | 8  |
| Ø 125  | 123 | 158 | 56        | 187  | 14 | 50  | 37 | 260 | 159 | 200 | 07 | 9x4    | □ 14         | 20  | 70   | 210   | Ø 18 | 8  | 210   | Ø 18 | 8  |
| Ø 150  | 141 | 185 | 56        | 212  | 14 | 50  | 37 | 350 | 159 | 200 | 07 | 9x4    | □ 17         | 22  | 70   | 240   | Ø 22 | 8  | 240   | Ø 22 | 8  |
| Ø 200  | 174 | 213 | 60        | 265  | 15 | 50  | 37 | 350 | 159 | 200 | 07 | 9x4    | □ 17         | 22  | 70   | 295   | Ø 22 | 8  | 295   | Ø 22 | 12 |
| Ø 250  | 208 | 245 | 68        | 319  | 15 | 75  | 47 | 400 | 238 | 260 | 10 | 11x4   | □ 22         | 32  | 102  | 350   | Ø 22 | 12 | 355   | Ø 26 | 12 |
| Ø 300  | 250 | 282 | 78        | 372  | 15 | 75  | 47 | 400 | 238 | 260 | 10 | 11x4   | □ 27         | 32  | 102  | 400   | Ø 22 | 12 | 410   | Ø 26 | 12 |
| Ø 350  | 300 | 318 | 78 / 92   | 436  | 28 | 102 | -  | -   | 315 | 400 | 14 | 17.5x4 | Ø 36         | 75  | 140  | 460   | M 20 | 16 | 470   | M 24 | 16 |
| Ø 400  | 326 | 362 | 102       | 492  | 28 | 102 | -  | -   | 315 | 400 | 14 | 17.5x4 | Ø 36         | 75  | 140  | 515   | M 24 | 16 | 525   | M 27 | 16 |
| Ø 450  | 365 | 410 | 114       | 540  | 26 | 102 | -  | -   | 315 | 400 | 16 | 22x4   | Ø 45         | 92  | 165  | 565   | M 24 | 20 | 585   | M 27 | 20 |
| Ø 500  | 408 | 435 | 127       | 600  | 26 | 102 | -  | -   | 315 | 550 | 16 | 22x4   | Ø 45         | 92  | 165  | 620   | M 24 | 20 | 650   | M 30 | 20 |
| Ø 600  | 482 | 519 | 154       | 700  | 26 | 102 | -  | -   | 315 | 600 | 16 | 22x4   | Ø 60         | 92  | 165  | 725   | M 27 | 20 | 770   | M 33 | 20 |
| Ø 700  | 543 | 548 | 165       | 775  | 30 | 135 | -  | -   | 414 | 700 | 25 | 18x8   | Ø 68         | 118 | 254  | 840   | M 27 | 24 | 840   | M 33 | 24 |
| Ø 800  | 587 | 587 | 180 / 190 | 885  | 30 | 135 | -  | -   | 414 | 800 | 25 | 18x8   | Ø 80         | 118 | 254  | 950   | M 30 | 24 | 950   | M 36 | 24 |
| Ø 900  | 655 | 661 | 190 / 203 | 1010 | 35 | 225 | -  | -   | 525 | 550 | 30 | 22x8   | Ø 80         | 200 | 298  | 1050  | M 30 | 28 | 1050  | M 36 | 28 |
| Ø 1000 | 735 | 725 | 216       | 1110 | 35 | 225 | -  | -   | 525 | 550 | 30 | 22x8   | Ø 100        | 200 | 298  | 1160  | M 33 | 28 | 1170  | M 39 | 28 |

**Butterfly Valve Code:** Tork-KV.W1120

**Double Acting Type Code :** PAV-802.DA

**Spring Return Type Code:** PAV-802.SR

**Butterfly Valve Part List**



**Ø40-200**

**Ø250-300**

**Ø350-1000**

| P.NO | PART NAME | MATERIAL   |
|------|-----------|--|
| 1    | Body      | GG 25, GGG 40-50, GGG 40.3, A-Bz, AISI 316, GS-C25 |
| 2    | Body seat | EPDM, NBR, Viton, Hypalon, Neopren, NR, Silicone   |
| 3    | Disc      | AISI 316, A-Bz, GGG 40-50, GS-C25, UB 6            |
| 4    | Stem      | AISI 304, AISI 316, AISI 420                       |
| 5    | Bearing   | SB (Carbon Steel + PTFE)                           |
| 6    | O-Ring    | NBR  |
| 7    | Washer    | St-37, A-2   |
| 8    | Bolt      | 8.8, A-2   |

| P.NO | PART NAME   | MATERIAL   |
|------|-------------|--|
| 1    | Body        | GG 25, GGG 40-50, GGG 40.3, A-Bz, AISI 316, GS-C25 |
| 2    | Body seat   | EPDM, NBR, Viton, Hypalon, Neopren, NR, Silicone   |
| 3    | Disc        | AISI 316, A-Bz, GGG 40-50, GS-C25, UB 6            |
| 4    | Stem        | AISI 304, AISI 316, AISI 420                       |
| 5    | Bearing     | SB (Carbon Steel + PTFE)                           |
| 6    | O-Ring      | NBR  |
| 7    | Washer      | St-37, A-2   |
| 8    | Bolt        | 8.8, A-2   |
| 9    | Bearing     | SB (Carbon Steel + PTFE)                           |
| 10   | Lower Cover | St-37  |
| 11   | Bolt        | 8.8, A-2   |

| P.NO | PART NAME       | MATERIAL   |
|------|-----------------|--|
| 1    | Body            | GG 25, GGG 40-50, GGG 40.3, A-Bz, AISI 316, GS-C25 |
| 2    | Body seat       | EPDM, NBR, Viton, Hypalon, Neopren, NR, Silicone   |
| 3    | Disc            | AISI 316, A-Bz, GGG 40-50, GS-C25, UB 6            |
| 4    | Key             | C 45 k   |
| 5    | Upper stem      | AISI 304, AISI 316, AISI 420                       |
| 6    | Connecting stud | AISI 304, AISI 316, AISI 420                       |
| 7    | Lower stem      | AISI 304, AISI 316, AISI 420                       |
| 8    | Washer          | St-37, A-2   |
| 9    | Nut             | 6.8, A-2   |
| 10   | Bearing         | SB (Carbon Steel + PTFE)                           |
| 11   | Upper cover     | C 45   |
| 12   | Lower cover     | C 45   |
| 13   | Bolt            | 8.8, A-2   |
| 14   | Key             | C 45 k   |